

### Conductor cleaner

Used for cleaning the conductor surface. It should regularly be run over the conductor surface.



Cat. No.	Product name	Compatible ducts
DH6167	Conductor cleaner 1004	3P100A ducts

Note: When using the cleaner, be sure to switch off power to prevent possible short circuits.

### Trolley collectors

Trolley collectors make direct contact with conductors for collecting power. Worn-out collectors should be replaced.



40A collector

Cat. No.	Product name
DH6104	2P40A collector
DH6105	3P40A collector
DH6107	3P80A collector

Note: One set contains the number of collectors needed for one trolley (two for 2P type and three for 3P type).

### Accessory sets for connections(Custom-made products)

A set consists of a coupling plate and conductor splice.

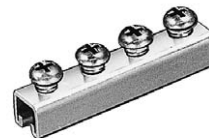
- 3P, 100A
- Hot-dipped galvanized steel



Rating
3P100A

Note: Custom-made products.

### Conductor splice



Cat. No.	Compatible ducts
DH6116	100A

### Conductor cleaner pads



Cat. No.	Product description	Compatible ducts
DH6203	For conductor cleaner 1004 (incl. 10 pads)	3P100A ducts

# Outdoor-type Trolley Ducts

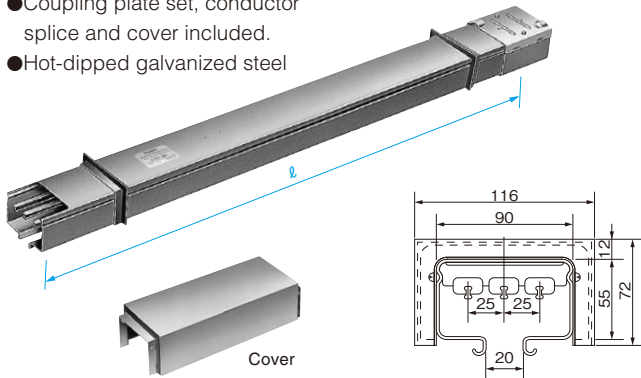
100A 600V

The rain-proof construction makes these Trolley Ducts suitable for outdoor installations.

Unit : mm

## Straight-line duct

- 3P, 100A
- Coupling plate set, conductor splice and cover included.
- Hot-dipped galvanized steel

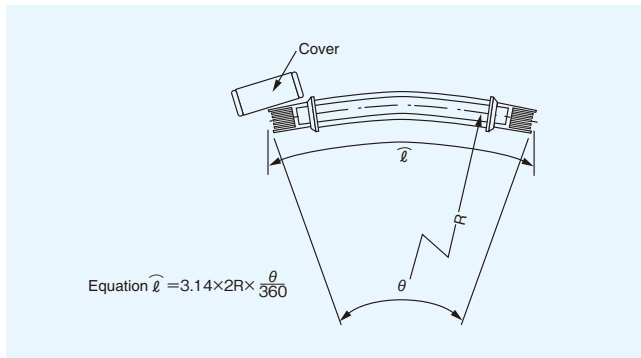


Cat. No.	Type	Rating	Standard length( l )	Weight (kg)
DH6933K2	1004	3P100A	3,000	15.0

Note: In addition to the standard 3m length, other lengths can also be made to order (500mm minimum to 3m maximum). 2P type is custom-made.

## Horizontally curved duct(Custom-made products)

- 3P, 100A
- Coupling plate set, conductor splice and cover included.
- Hot-dipped galvanized steel

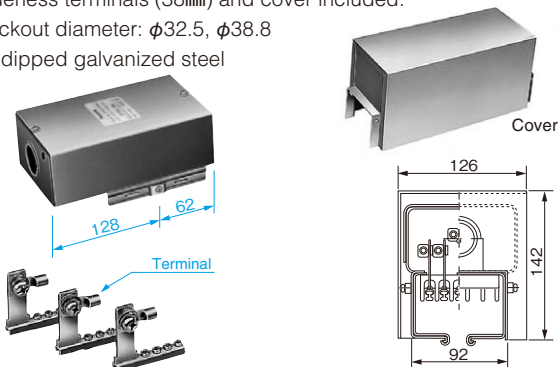


Type	Rating	Minimum R	Available duct length l-hat
1004	3P100A	40A trolley: 1,000mm 80A trolley: 2,500mm	500mm(min.) to 1800mm(max.)

Note: Custom-made products.

## Center feed-in box

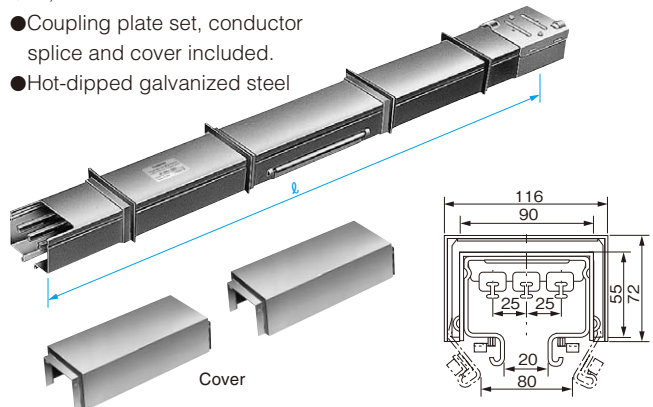
- 3P, 100A
- Cover included.
- Solderless terminals (38mm) and cover included.
- Knockout diameter: φ32.5, φ38.8
- Hot-dipped galvanized steel



Cat. No.	Type	Rating	Weight (kg)
DH6963	1004	3P100A	1.5

## Drop-out duct

- 3P, 100A
- Coupling plate set, conductor splice and cover included.
- Hot-dipped galvanized steel

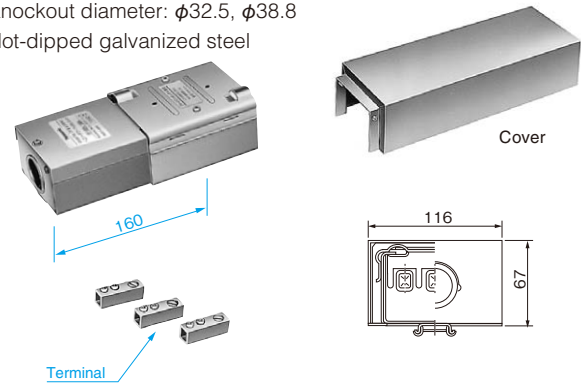


Cat. No.	Type	Rating	Standard length( l )	Weight (kg)
DH6943K2	1004	3P100A	1,000	5.2

Note: In addition to the standard 1m length, other lengths can also be made to order (800mm minimum). 2P type is custom-made.

## Feed-in box

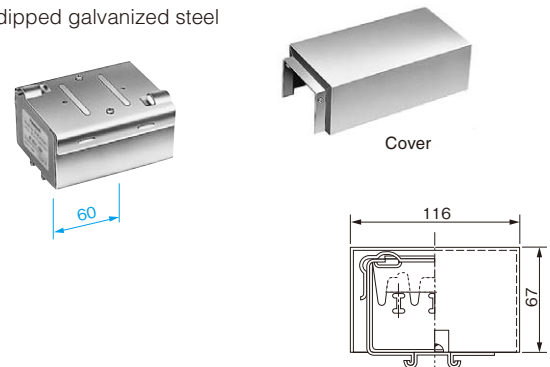
- 3P, 100A
- Coupling plate set, terminals and cover included.
- Knockout diameter: φ32.5, φ38.8
- Hot-dipped galvanized steel



Cat. No.	Type	Rating	Weight (kg)
DH6953	1004	3P100A	1.6

## End cap

- 3P, 100A
- Cover included.
- Hot-dipped galvanized steel



Cat. No.	Type	Rating	Weight (kg)
DH6515	1004	3P100A	1.1