

Collector arm supporting components

These components are mounted on the collector arm. They keep the arm horizontal and minimize uneven abrasion of the collector shoe.

It is also possible to mount them on existing collector arms.

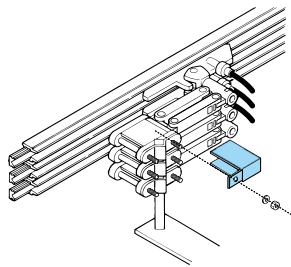
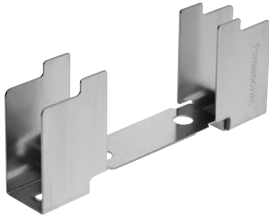
Note: UL standards do not apply.

- For single type (no saddle)
- For tandem type and single type (for mount rod)



※Two units are required when mounting on the tandem type.

- For tandem type (for mount plate)

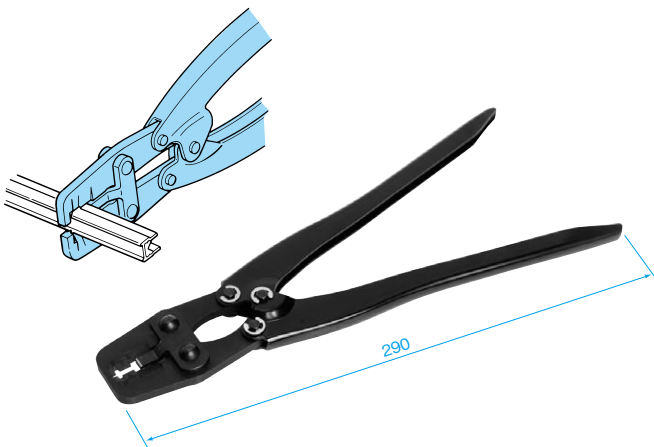


Cat. No.	Type	Weight (kg)	Units per box	Units per carton
DH58870	Single (no saddle)	0.013	12	120
DH58871	Tandem, single (for mount rod)	0.007	12	120
DH58872	Tandem (for mount plate)	0.017	12	120

Sheath cutter

This labor-saving tool makes it possible to cut the insulating sheath of the Tro-Reel HS units with just one hand.

Note: UL standards do not apply.

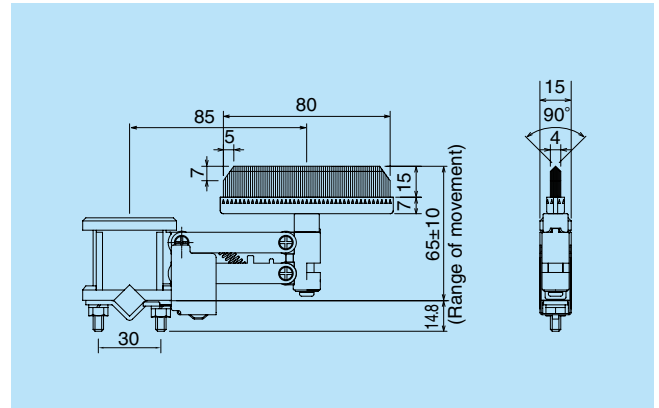


Cat. No.	Weight (kg)	Units per box	Units per carton
DH5884K1	0.40	1	10

Conductor cleaner

This nylon brush is used to clean the conductor surface of the Tro-Reel HS units.

Note: UL standards do not apply.

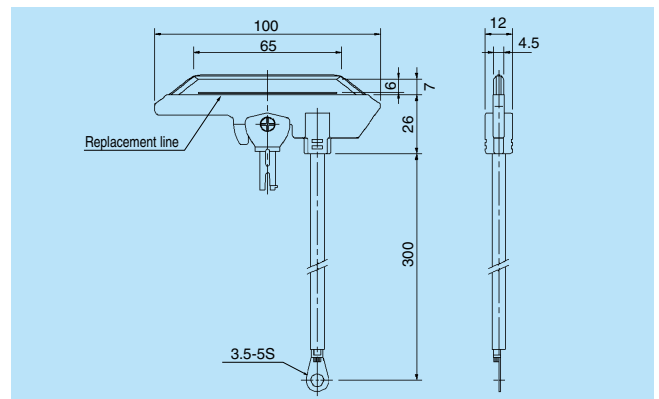


Cat. No.	Type	Weight (kg)	Units per box	Units per carton
DH58851K1	Single (for mount rod)	0.11	1	16

Collector (replacement part)

Note: UL standards do not apply.

Note: This collector is a replacement part for using collector arms which are of an earlier type than the collector arms listed on page 19 of this catalog.



Cat. No.	Rating	Weight (kg)	Units per box	Units per carton
DH5883K	1P600V30A	0.06	10	100