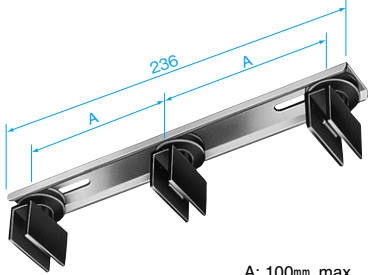


Spacer

Used as a backing support for the Tro-Reel to prevent shifting and inclination. For 60A, 150A, 200A, and 300A.

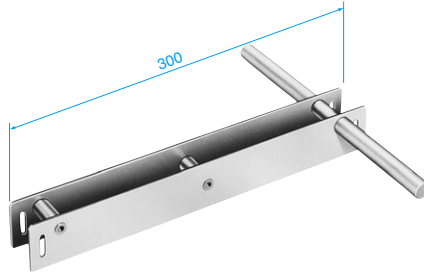


A: 100mm max.
70mm min.

Cat. No.	Weight (kg)	Units per box	Units per carton
DH5518	0.18	5	20

Straightener

Used to straighten the Tro-Reel unit when removed from the coil package. For 60A, 150A, 200A, and 300A.

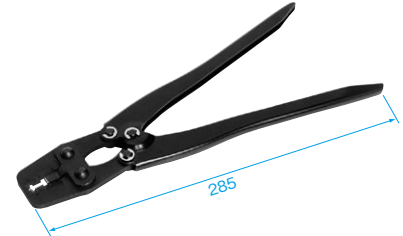


Cat. No.	Weight (kg)	Units per box	Units per carton
DH5538K	0.72	1	20

Sheath cutter for Tro-Reel

This labor-saving tool makes it possible to cut the insulating sheath of the Tro-Reel units with just one hand.

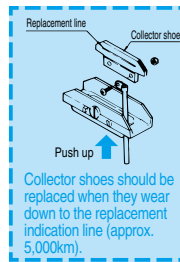
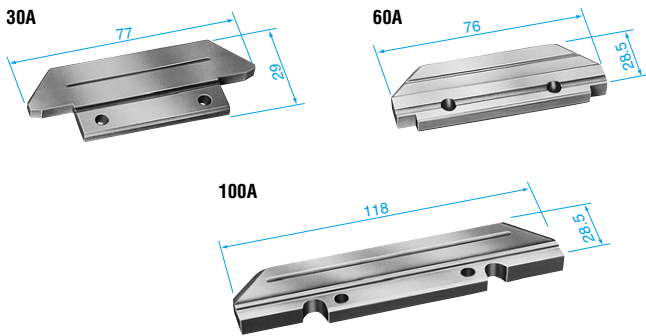
Note: Not for use with the 300A type Tro-Reel.



Cat. No.	Weight (kg)	Units per box	Units per carton
DH5575K1	0.40	1	10

Collector shoe (Replacement parts)

●Material : Copper base sintered alloy



Cat. No.	Rating	Units per box	Units per carton
DH5320	30A	10	100
DH5321	60A	10	100
DH5322	100A	10	100

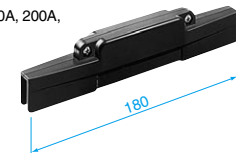
Collector head holder (Replacement parts)



Cat. No.	Rating	Units per box	Units per carton
DH52403	For 30A	—	15
DH52413	For 60A, 100A	—	10

Sheath repair cover (Replacement parts)

●For 60A, 150A, 200A, and 300A.



Cat. No.	Units per box	Units per carton
DH5560	1	20