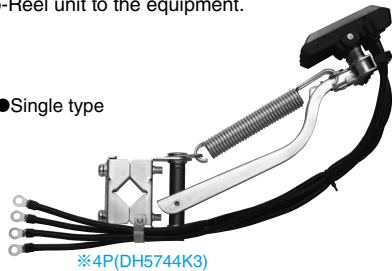


Collector arm

Attached to the moving equipment and used to supply power from the High-Tro-Reel unit to the equipment.

●Single type

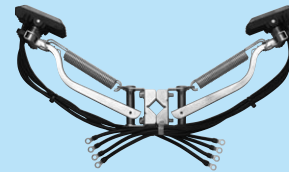


※4P(DH5744K3)

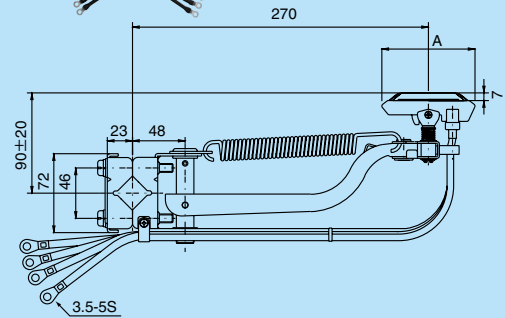
Cat. No.	Rating	Weight (kg)	Units per box	Units per carton
DH5743K3	3P·600V·30A	0.67	—	1
DH5744K3	4P·600V·30A	0.98	—	1
DH5745K2	5P·600V·30A	1.08	—	1
DH5746K2	3P·600V·60A	0.81	—	1
DH5747K2	4P·600V·60A	1.16	—	1
DH5748K2	5P·600V·60A	1.32	—	1
DH5741K2	3P·600V·100A	1.06	—	1
DH5742K2	4P·600V·100A	1.41	—	1



Collector arms can be linked together and used in tandem configuration when it is critical that the collectors are not separated from the wires.



	A	Crimp-on terminal
30A	55	3.5-5S
60A	70	8-6
100A	95	14-6



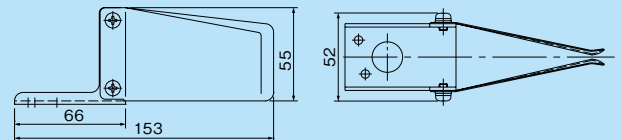
※Drawing shows 4P collector arm.

Collector arm support parts for transverse

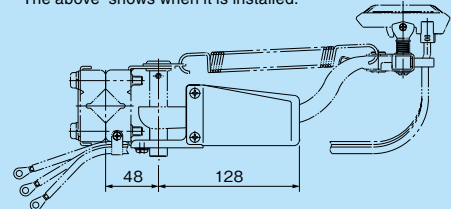
- Applicable for 30A, 60A, and 100A collector arms.
- When installing a collector arm horizontally, mounted collector arm support parts for transverse on base of the collector arm as shown.



Cat. No.	Weight (kg)	Units per box	Units per carton
DH5249K	0.13	1	24



The above shows when it is installed.



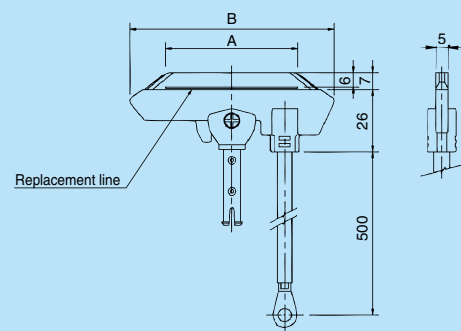
Collector (replacement parts)

The number of collectors in a set conforms to the number of poles. Replace collectors when they wear down to the replacement indication line (approx. 5,000km).



※3P(DH5783K1)

Cat. No.	Rating	Units per box	Units per carton
DH5783K1	3P·600V·30A	1	30
DH5784K1	4P·600V·30A	1	20
DH5785K1	5P·600V·30A	1	20
DH5786K1	3P·600V·60A	1	30
DH5787K1	4P·600V·60A	1	20
DH5788K1	5P·600V·60A	1	20
DH5781K2	3P·600V·100A	1	20
DH5782K2	4P·600V·100A	1	10



	A	B	Crimp-on terminal
30A	55	85	3.5-5S
60A	70	100	8-6
100A	95	125	14-6